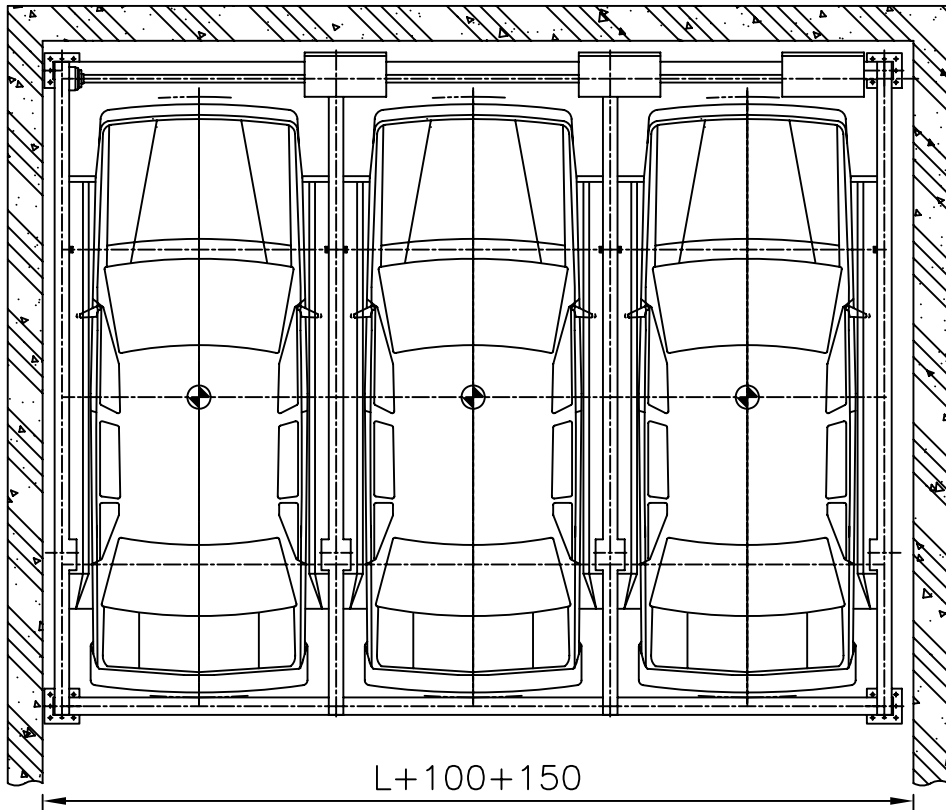


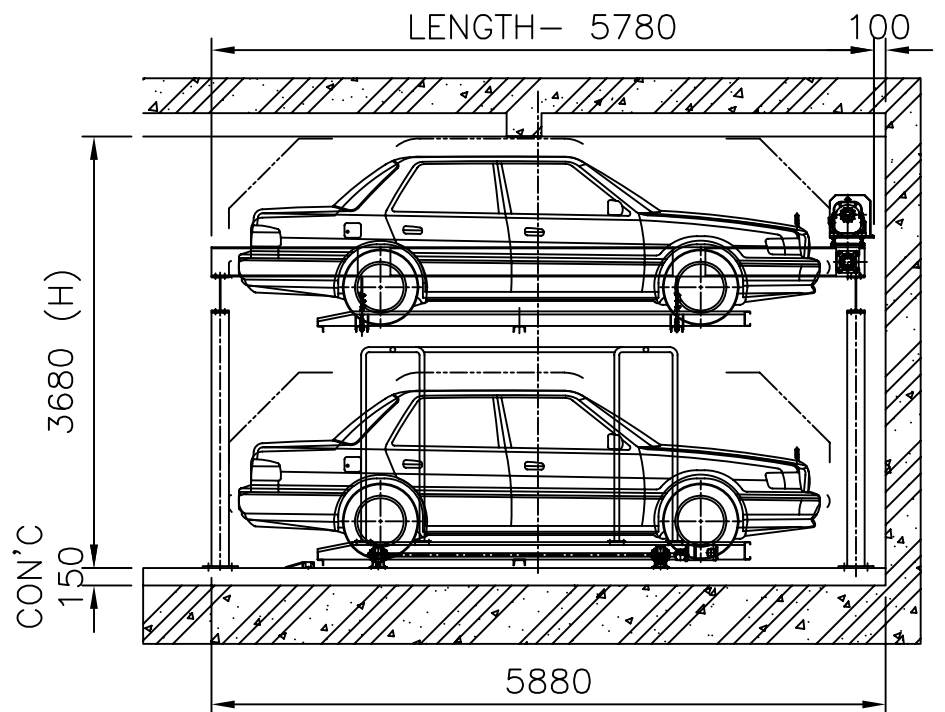
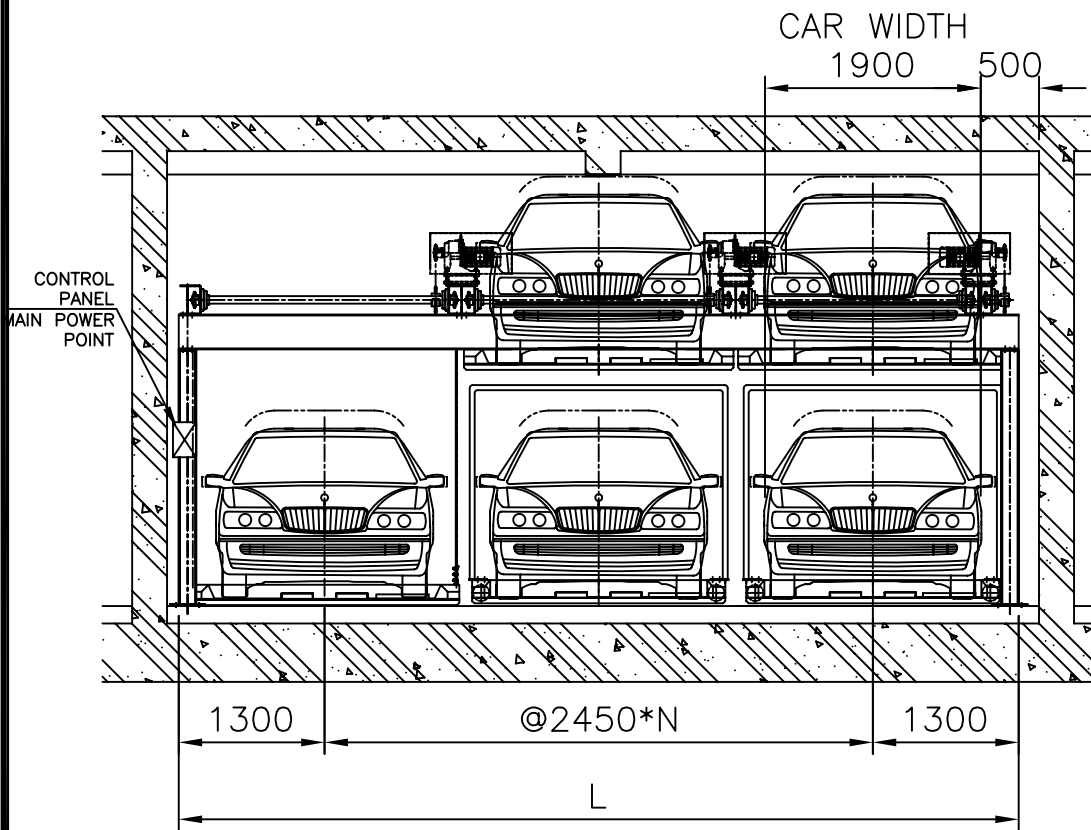


2 LAYER TYPE (VERTICAL/HORIZONTAL SYSTEM ; NIRMAL or LARGE SIZED CAR)



Standard Specification

Model	2 layer type		
Acceptable spec.	length	5120	MM
	width	2060	MM
	height	1550	MM
	weight	2100	KG
Vertical/Horizontal	Motor	2.2Kw x 4P	
	Speed	5 M/MIN	
1st Flr. Travelling	Motor	0.4Kw x 4P	
	Speed	10 M/MIN	
Power	AC220/380V,60Hz,3ϕ-4W+E		
Control	P. L. C		



Standard dimensions

N	1	2	3	4	5	6	7	8
capacity	3	5	7	9	11	13	15	17
L (MM)	5050	7500	9950	12400	14850	17300	19750	22200
N	9	10	11	12	13	14	15	16
capacity	19	21	23	25	27	29	31	33
L (MM)	24650	27100	29550	32000	34450	36900	39350	41800

- * If different standard spec. from structure's, required to contact us
- * RV is excluded, required to contact us

Remarks

1. If you need to set sprinkler, please contact to us
2. Possible to anchor in the base of parking lot and wall Required to construct trench (to flow water) without intervention in the base of metal frame
3. Required to set ventilation system
4. Main power dragging to control panel
5. Required to set lighting and electricity system in underground.
6. Required to set safe handrail or security fence at other sides except front side.

P A R K

A C C E S S